

# Attaching the Weight Bar and Adjusting the Loop Guide

In order to have a Stable Paper Feed, it may be necessary to attached the Weight Bar and adjust the Loop Guide.

- **Paper Thickness: Minimum 0.065 to Maximum 0.11 mm.**

- 1) The Weight Bar is not used.
- 2) It is possible, due to sudden environmental changes, that a deformation of the Loop Guide may occur (see Fig. 3), to remove the deformation, reposition the Loop Guide by:
  1. Loosening the retaining screw next to position A (Fig. 4).
  2. Move the Loop Guide in the direction of the arrow (Fig. 4).
 Tighten the retaining screw while ensuring the deformation has been removed.

Note: If the paper we recommend (refer to the TUP500 Series Product Specifications) is not used, or depending on use environment, it may be necessary to attach the Weight Bar to position #1 or #2 (Fig. 2).

- **Paper Thickness: Minimum 0.11 to Maximum 0.15 mm.**

- 1) Use the two hooks at the left and right of position #1 to secure the Weight Bar in place (Fig. 2).
  - 2) Remove the Loop Guide (and store it for use) by removing the two retaining screw's (Fig. 4).
- Note 1: If the paper we recommend (refer to the TUP500 Series Product Specifications) is not used, or depending on use environment, the Weight Bar may be adjusted to Position #2 (Fig. 2).
- Note 2: The Loop Guide is not used, so store it in a safe place where it will not be lost.

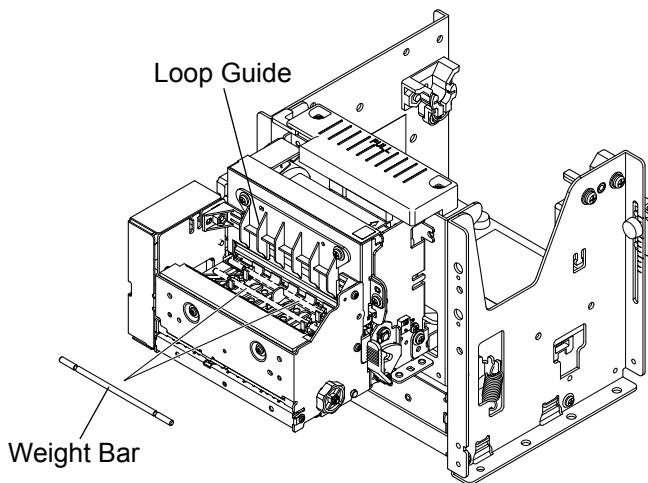


Fig. 1

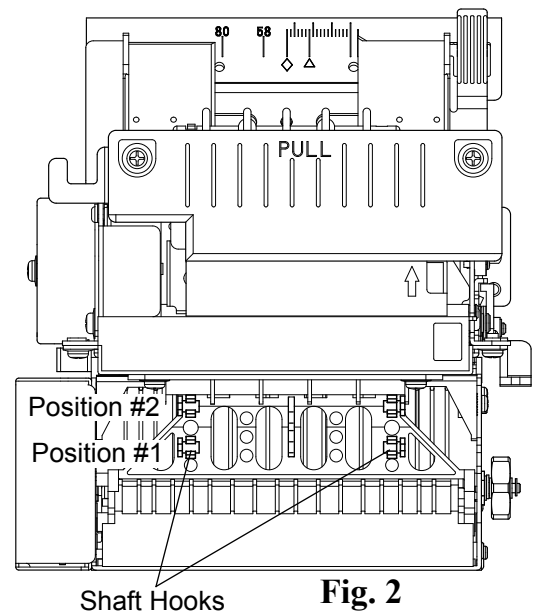


Fig. 2

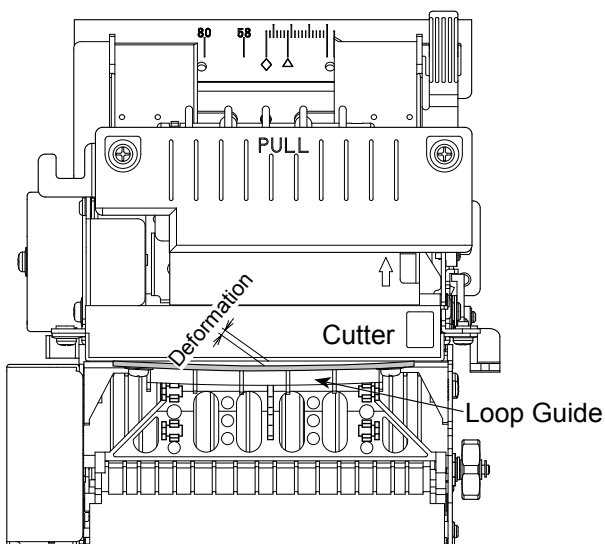


Fig. 3

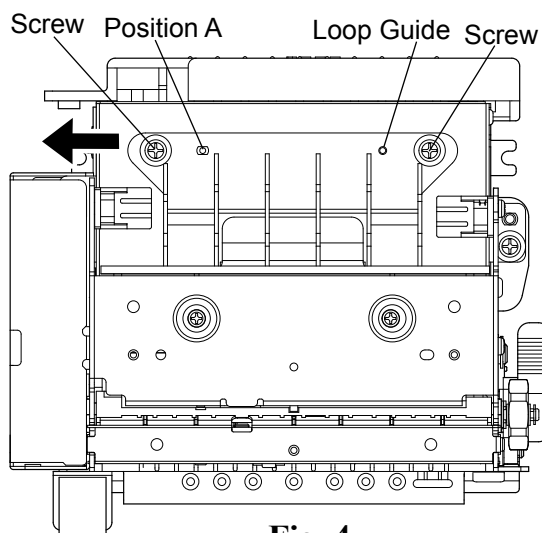


Fig. 4